

# Pipe & Manhole Handling

## Model CPL - C-Hook Pipe Lifter



### PRODUCT FEATURES:

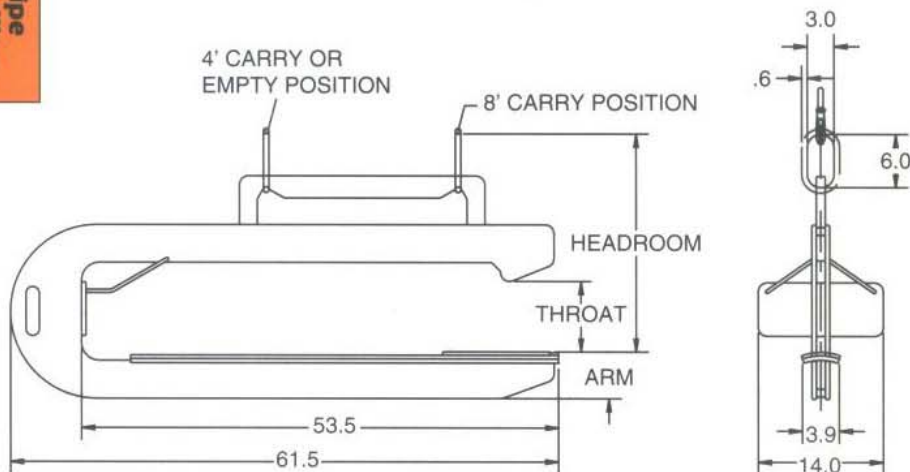
- Handles precast concrete pipe in both 4' & 8' long sections.
- Dual lift points allow hook to be carried safely loaded or unloaded.
- Non-skid urethane saddle prevents pipe from slipping off lifter.
- Quick, efficient way to pick and place.
- Conforms to ASME B30.20

"This tool has saved countless hours by eliminating the need to dig a hole under the pipe or rolling it over a cable or chain for lifting. No more dealing with muddy chains or cables. Just put it in the pipe, lift, place and go to the next pipe!"

### SPECIFICATIONS

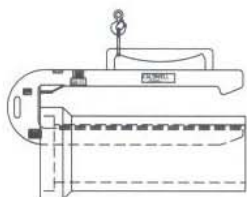
Model Number	Pipe Dia. Range (in.)	Throat	Arm	Headroom	Capacity (lbs)	Wt. (lbs)
CPL	10 - 27	7-1/2"	5.2"	24-1/2"	2,900	250
CPL-3	20 - 42	10"	5.7"	27.1"	6,000	500

Bill Ostman  
Ostman Plumbing Co.

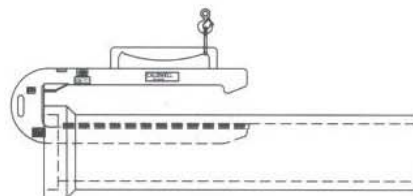


### Operation

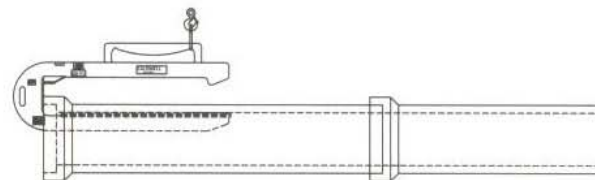
**Easylift**  
SYSTEMS INCORPORATED



4' Carry Position  
or Empty Position



8' Carry Position



Use to easily join  
lengths of pipe.