

EASY ARM™ INTELLIGENT LIFTING ARM: THE BRAINS OF A G-FORCE™ IN THE BODY OF A JIB

Your precision lifting applications just got easier, thanks to **EASY ARM™** Intelligent Lifting Arm, the newest addition to Gorbel's family of G-Force™ Intelligent Assist Devices. We took our patented G-Force™ lifting technology and processor controlled servo-drive system and integrated them into an ergonomic articulating jib design.

THE SMARTER WAY TO LIFT

Our G-Force™ technology gives you the best of both worlds: the responsiveness and the flexibility of a human operator, plus the power of a machine. More precise than hoists, more responsive than air balancers, G-Force™ technology integrated in the EASY ARM™ design improves safety, productivity and quality:

- Provides unparalleled precision at speeds up to 150 fpm.
- Acts as an extension of the operator's arm.
- Makes your work force more productive by increasing efficiency and enabling them to easily perform complex tasks.

APPLICATIONS

This versatile new design is ideal for lifting applications that involve:

- Reaching into a work cell or around obstructions
- Rapid changes in direction
- Loading/unloading machined parts
- Moving products around a work cell
- Palletizing

Go to www.gorbel.com/gforce/easyarm.asp for animations of Easy Arm™ at work.

FLEXIBLE AND CONVENIENT

No Foundation Required

Easy Arm™ doesn't require a foundation. Its simple 4-bolt hole pattern means you can put it anywhere you want. You don't need to pour expensive foundations or make costly major modifications to existing plant equipment.

Versatile Design

The Easy Arm™ has adjustable tension of both arms to fine tune its rotation performance. Plus, it pivots in two places on the boom for easier access to hard to reach places.



This manufacturer uses the G-Force™ Easy Arm for a wide range of assembly applications.

Easy Arm's™ optional Float Mode function allows operators to perform precision tasks with their hands on the load itself for maximum control.



Cost Effective

Easy Arm™ is more cost effective for moving loads in one work cell than adding a work station bridge crane.

Easy Installation

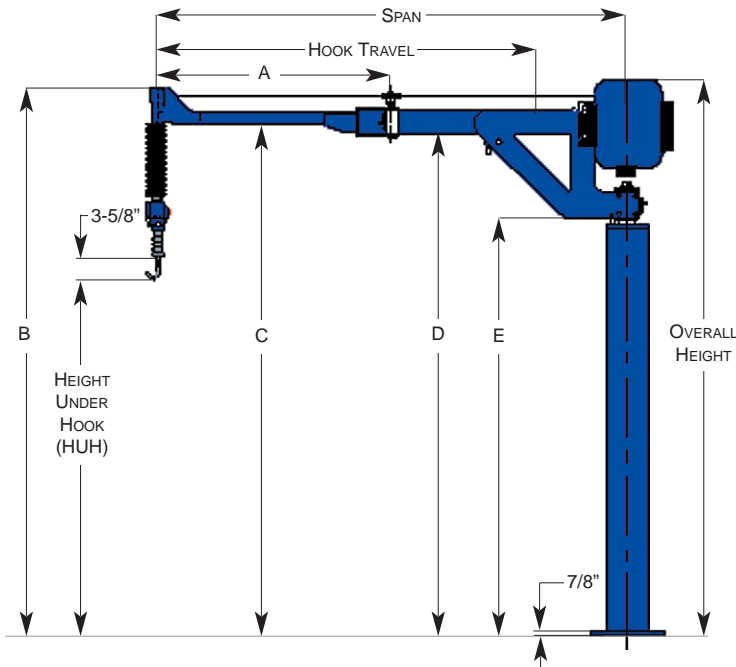
The Easy Arm™ is delivered pre-assembled. To install, simply bolt the mast of the Easy Arm™ to any 6" reinforced floor. Then raise the arm, adjust using integrated leveling device, and apply power. In no time, you are up and running.

Easy to Move

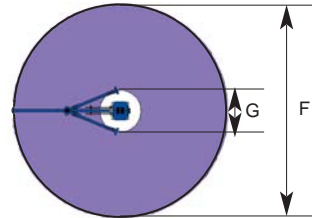
- The Easy Arm™ is a self-contained unit. That means operators don't have the added physical strain of moving a complete bridge and/or trolley.
- The actuator is mounted on the pivot, not on the arm, making the arm lightweight and easy to move.

PERFORMANCE CHARACTERISTICS

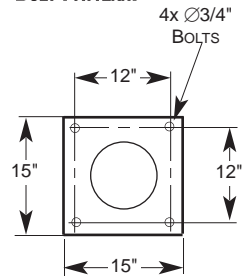
CAPACITY	150 lbs	70 kg
MAXIMUM LIFTING SPEEDS	150 FPM, unloaded 125 FPM, 150 lb load	46 MPM, unloaded 38 MPM, 70 kg load
DEGREE OF ROTATION	Primary Arm rotates 375° Secondary Arm pivots 270° (6' span) or 315° (8' and 10' spans)	
POWER REQUIREMENTS	220 Volt - Single Phase - 50 Hz or 60 Hz	



HOOK TRAVEL:
SHADED AREA INDICATES
HOOK COVERAGE



BOLT PATTERN:



Application Notes:

- When sizing the Easy Arm, it is critical to select the optimal span and Height Under Hook (HUH) for your application. As with any crane system, choose the *minimum* span and HUH needed to maximize ease of movement.
- An Optional Portable Base is available. Contact us at (585) 924-6262 or (800) 821-0086 for information.

HEIGHT UNDER HOOK	SPAN	UNIT WEIGHT	OVERALL HEIGHT	A	B	C	D	E	F	G	HOOK TRAVEL
6' (1829 mm)	6' (1829)	484# 220 kg	106-7/8" (2715)	36" (914)	105-1/4" (2673)	98-1/16" (2491)	95-3/4" (2432)	78-3/4" (2000)	144" (3658)	55" (1397)	44-1/2" (1130)
	8' (2438)	501# 227 kg		48" (1219)					192" (4877)	36-7/8" (937)	77-9/16" (1970)
	10' (3048)	518# 235 kg		60" (1524)					240" (6096)	46" (1168)	97" (2464)
8' (2438 mm)	6' (1829)	529# 240 kg	130-7/8" (3324)	36" (914)	129-1/4" (3283)	122-1/16" (3100)	119-3/4" (3042)	102-3/4" (2610)	144" (3658)	55" (1397)	44-1/2" (1130)
	8' (2438)	546# 248 kg		48" (1219)					192" (4879)	36-7/8" (937)	77-9/16" (1970)
	10' (3048)	564# 256 kg		60" (1524)					240" (6096)	46" (1168)	97" (2464)

English System (Metric System)
All values in parentheses are in millimeters